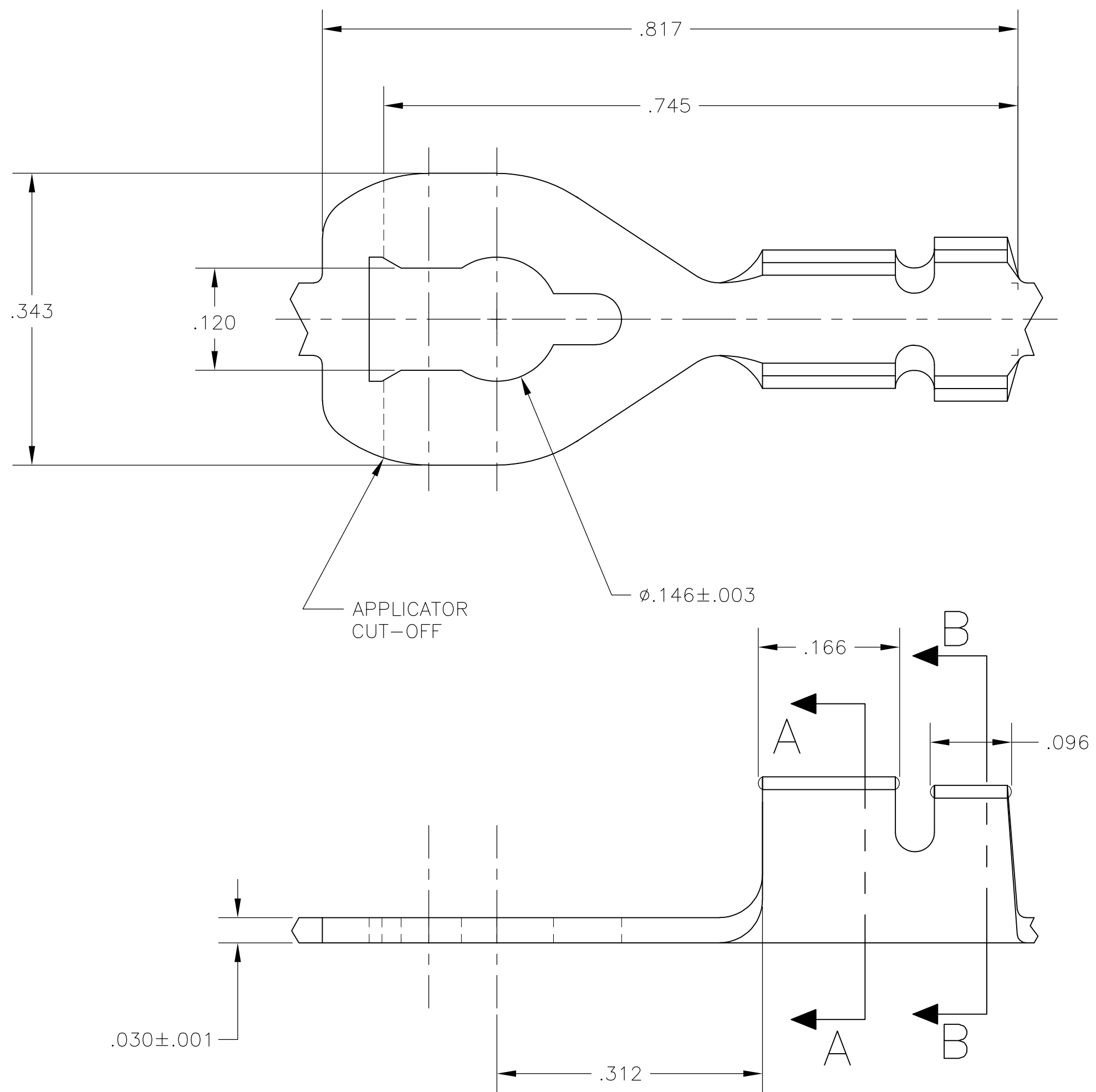
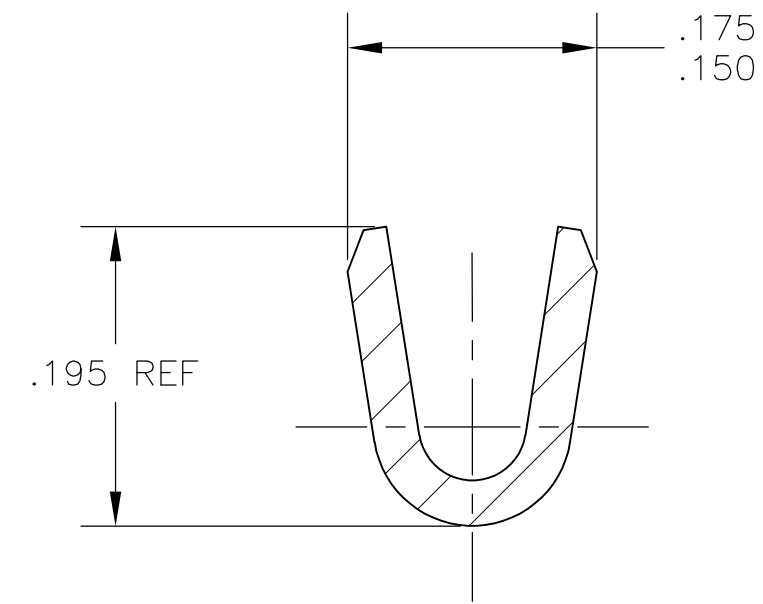


THIS DRAWING IS UNPUBLISHED. RELEASED FOR PUBLICATION
 © COPYRIGHT 1964 BY TYCO ELECTRONICS CORPORATION. ALL RIGHTS RESERVED.

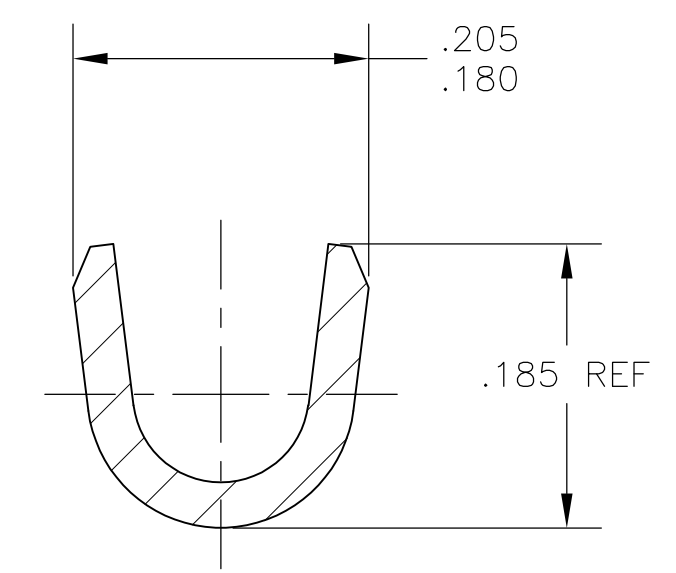
LOC		DIST		REVISIONS			
P	LTR	DESCRIPTION		DATE	DWN	APVD	
AF	50	S		REVISED PER ECR-10-006099	07JUL10	HMR PD	



1. CONTINUOUS STRIP ON REELS.
2. WIRE RANGE: #18-#14 AWG.
3. INSULATION RANGE: .100-.140 DIA.



SECTION A-A



SECTION B-B

	TIN	60187-2
OBSELETE		60187-1
	FINISH	PART NUMBER

THIS DRAWING IS A CONTROLLED DOCUMENT.		DWN 03NOV2003 MICHAEL S. FEHER	Tyco Electronics Corporation Harrisburg, PA 17105-3608	
DIMENSIONS: INCHES		CHK 03NOV2003 DONALD F. DECKER	NAME TERMINAL, SPRING SPADE	
TOLERANCES UNLESS OTHERWISE SPECIFIED: 0 PLC ± - 1 PLC ± - 2 PLC ± - 3 PLC ± .015 4 PLC ± - ANGLES ± 1°		APVD 03NOV2003 DONALD F. DECKER	PRODUCT SPEC APPLICATION SPEC	
MATERIAL H03 BRASS	FINISH SEE TABLE	WEIGHT -	SIZE A2	CAGE CODE 00779
		DRAWING NO C=60187		RESTRICTED TO -
		CUSTOMER DRAWING		SCALE 8:1 SHEET 1 OF 1 REV S

60187